

ÜBERSICHTSZEICHNUNG

ASSEMBLY DRAWING

GHOST



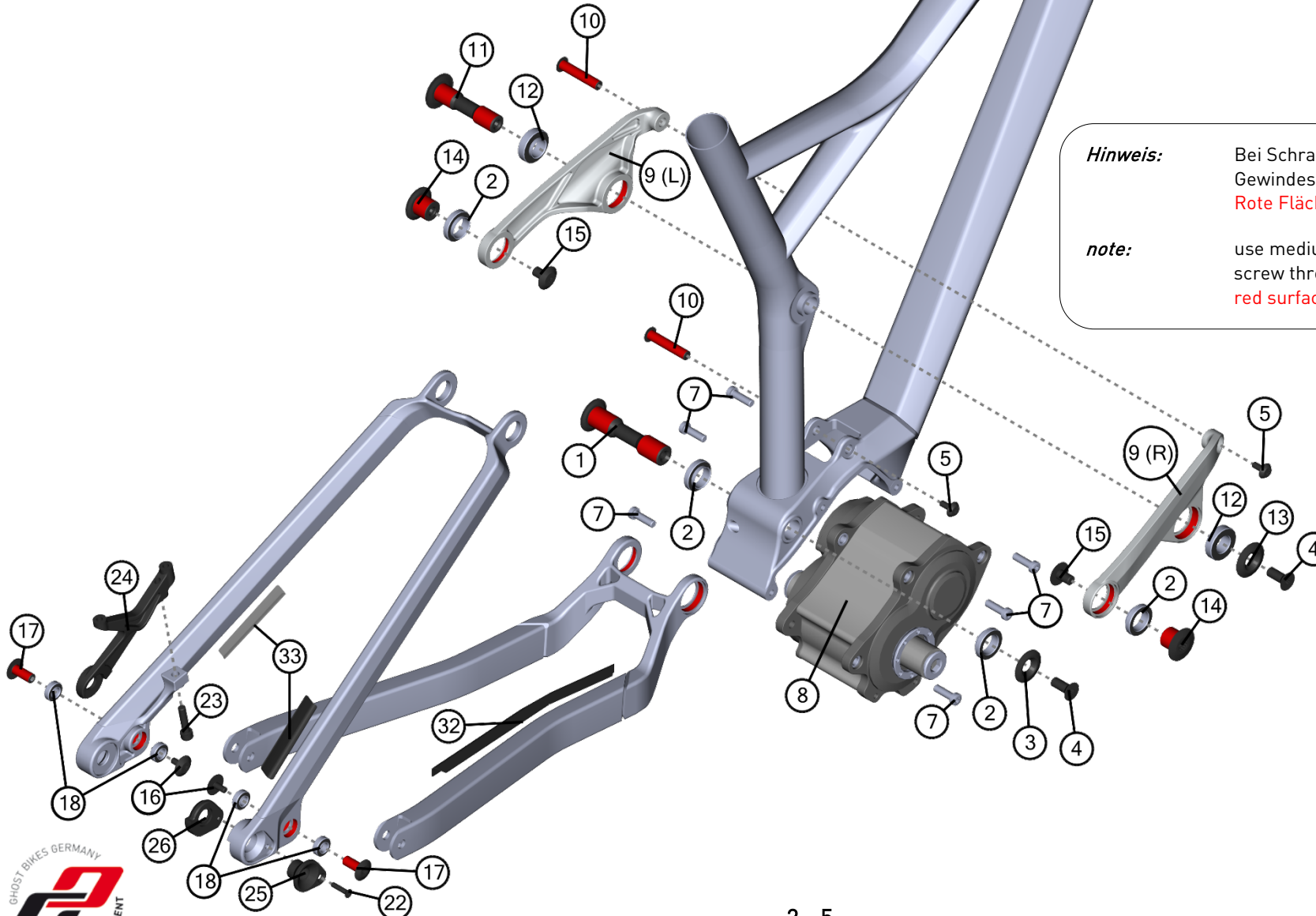
HAMR X (MY17)

2016-12-12 01

V01

ÜBERSICHTSZEICHNUNG ASSEMBLY DRAWING

GHOST



Hinweis: Bei Schrauben muß mittelfeste Gewindefürsicherung verwendet werden.
Rote Flächen müssen gefettet werden.

note: use medium strength screwlock for screw threads.
red surfaces has to be greased.



ÜBERSICHTSZEICHNUNG

ASSEMBLY DRAWING

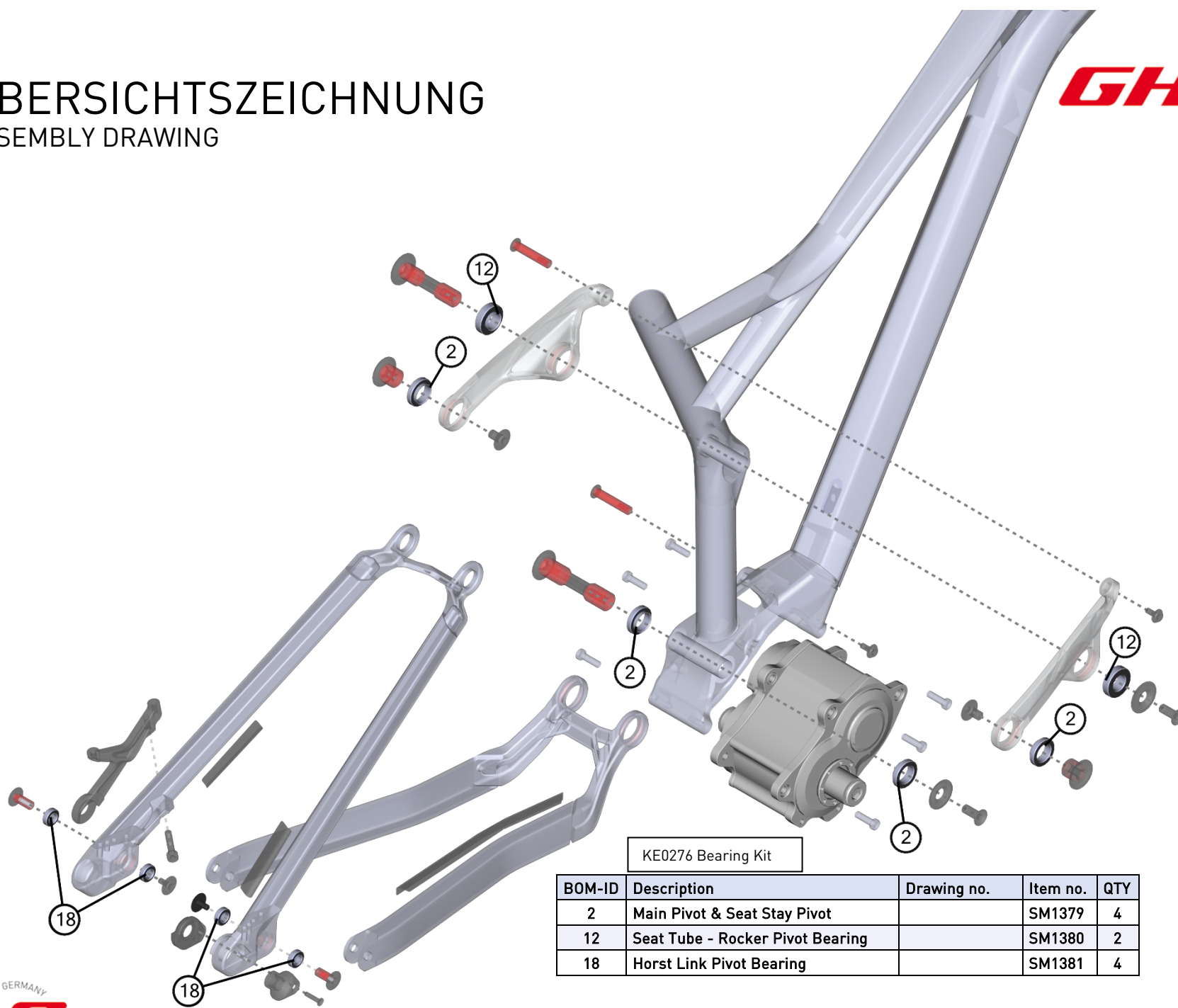
GHOST

BOM-ID	Description	Specification	Torque	Drawing no.	Item no.	QTY
1	Axel Main Pivot	T50	8 Nm		SM1364	1
2	Main Pivot & Seat Stay Pivot Bearing				SM1379	4
3	Nut Main Pivot				SM1370	1
4	Flat Head Screw M8	T30 - M8 x 20mm	8 Nm or 12 Nm		SM1375	2
5	Screw Shock Mount	T25 - M5 x 12mm	6 Nm		SM1377	2
7	Screw Gearbox	T30 - M6 x 20mm	8 Nm			6
8	Pinion P1.18					1
9 (L)	Rocker				FROT0017	1
9 (R)	Rocker				FROT0017	1
10	Axle Shock		6 Nm		SM1368	2
11	Axle Rocker Fix Pivot	T50	12 Nm		SM1365	1
12	Seat Tube - Rocker Pivot Bearing				SM1380	2
13	Nut Rocker Fix Pivot				SM1371	1
14	Axle Seat Stay Pivot	T50	8 Nm		SM1366	2
15	Screw SS Yoke	T30 - M8 x 13mm	8 Nm		SM1378	2
16	Screw CS&D0	T25 - M5 x 11mm	6 Nm		SM1376	2
17	Axle Horst Link	T30	6 Nm		SM1363	2
18	Horst Link Pivot Bearing				SM1381	4
22	Flat Head Screw M4	T10 - M4 x 18mm	0,5 Nm		FRSC0060	1
23	Post Mount Screw	T30 - M6 x 26mm	8 Nm		SM1372	1
24	Disc Brake Mount				SM1387	1
25	Hanger Mount				FRNT0061	1
26	Hanger Dummy for Pinion (A1)				FRHG0059	1
32	CS Protector				SM1391	1
33	SS Protector				SM1392	2

ÜBERSICHTSZEICHNUNG

ASSEMBLY DRAWING

GHOST

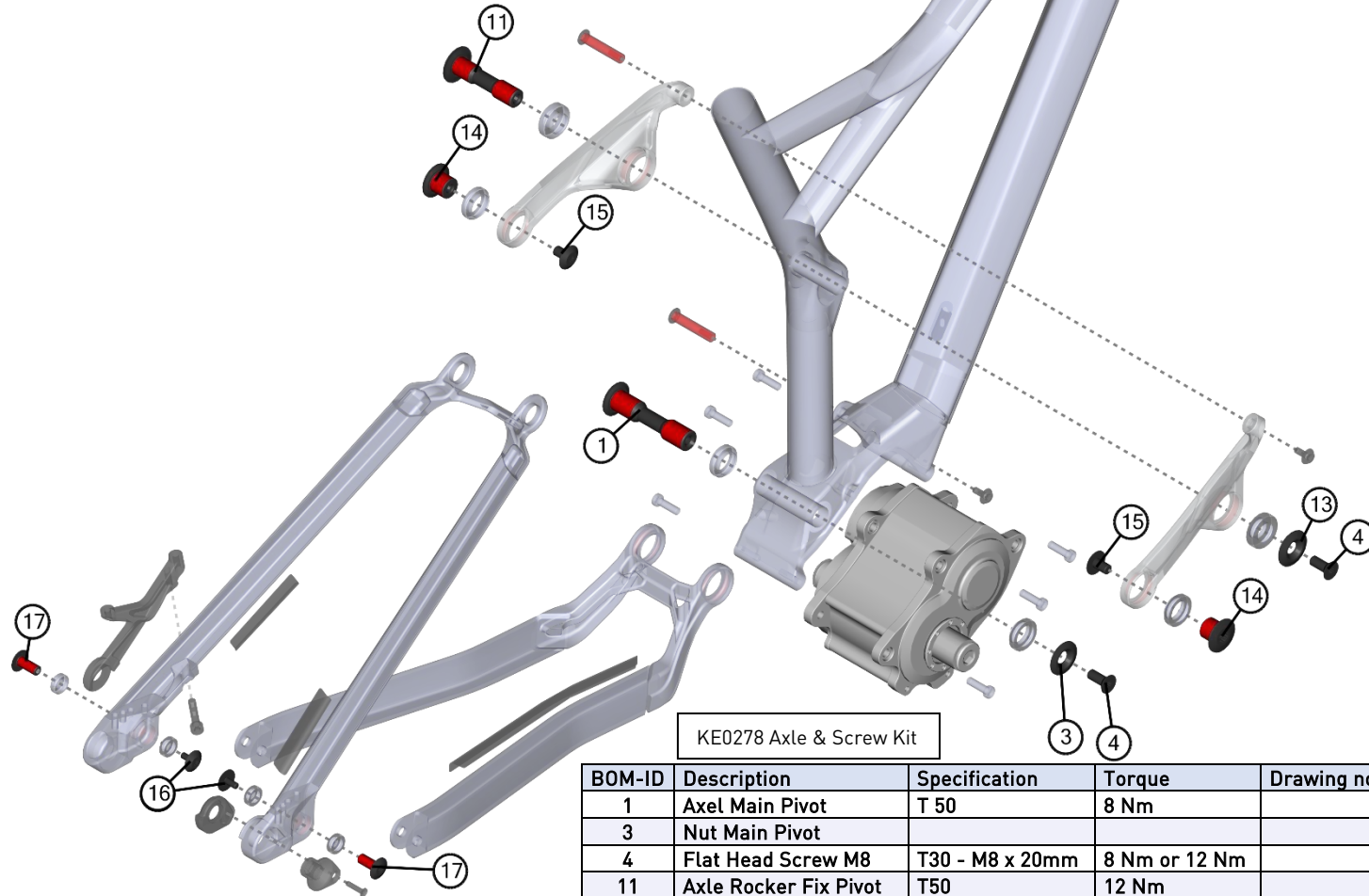


BOM-ID	Description	Drawing no.	Item no.	QTY
2	Main Pivot & Seat Stay Pivot		SM1379	4
12	Seat Tube - Rocker Pivot Bearing		SM1380	2
18	Horst Link Pivot Bearing		SM1381	4

ÜBERSICHTSZEICHNUNG

ASSEMBLY DRAWING

GHOST



KE0278 Axle & Screw Kit

BOM-ID	Description	Specification	Torque	Drawing no.	Item no.	QTY
1	Axel Main Pivot	T 50	8 Nm		SM1364	1
3	Nut Main Pivot				SM1370	1
4	Flat Head Screw M8	T30 - M8 x 20mm	8 Nm or 12 Nm		SM1375	2
11	Axle Rocker Fix Pivot	T50	12 Nm		SM1365	1
13	Nut Rocker Fix Pivot				SM1371	1
14	Axle Seat Stay Pivot	T50	8 Nm		SM1366	2
15	Screw SS Yoke	T30 - M8 x 13mm	8 Nm		SM1378	2
16	Screw CS&DO	T25 - M5 x 11mm	6 Nm		SM1376	2
17	Axle Horst Link	T30	6 Nm		SM1363	2